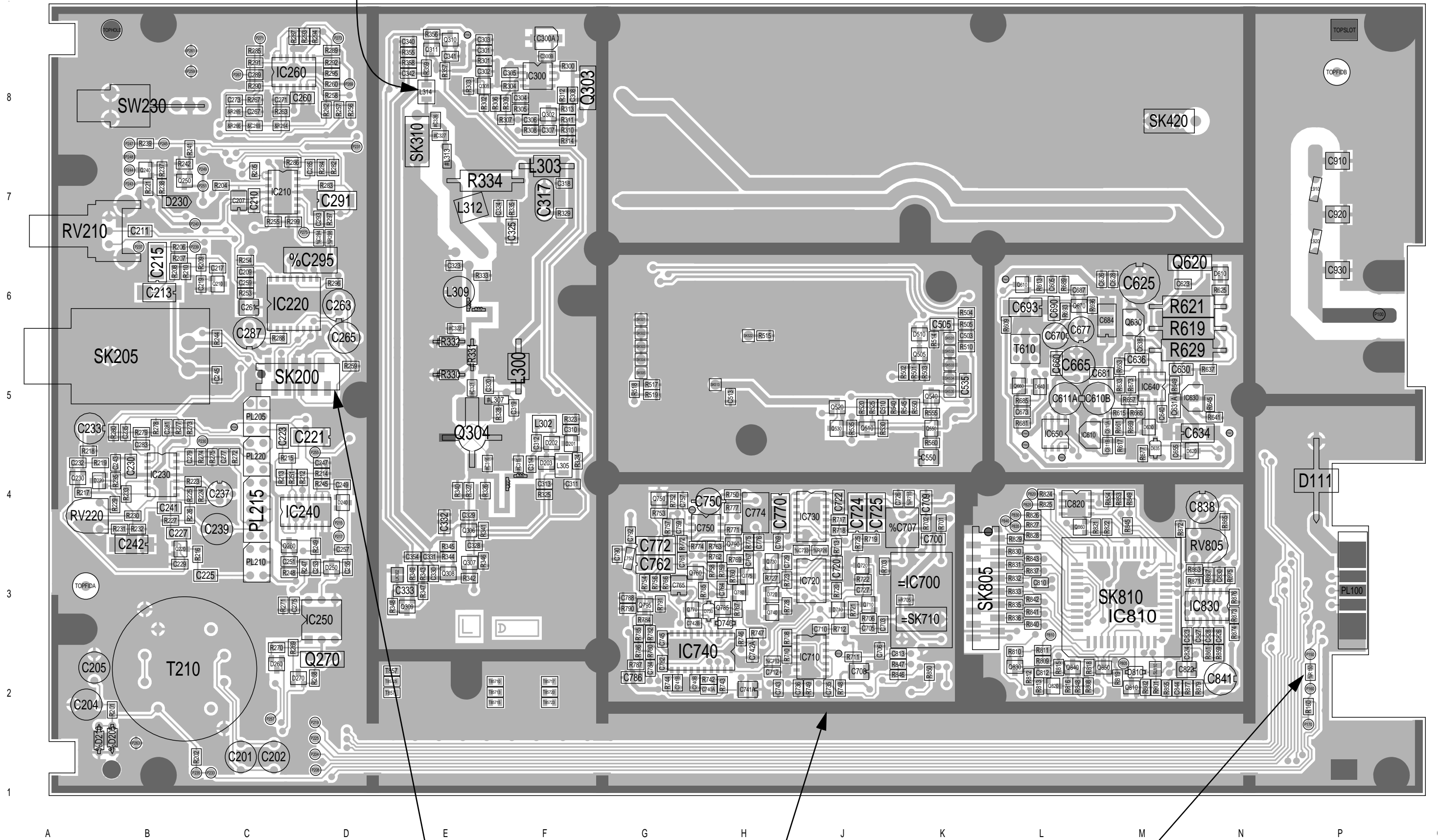


L314 is fitted only when cyclic keying is required.

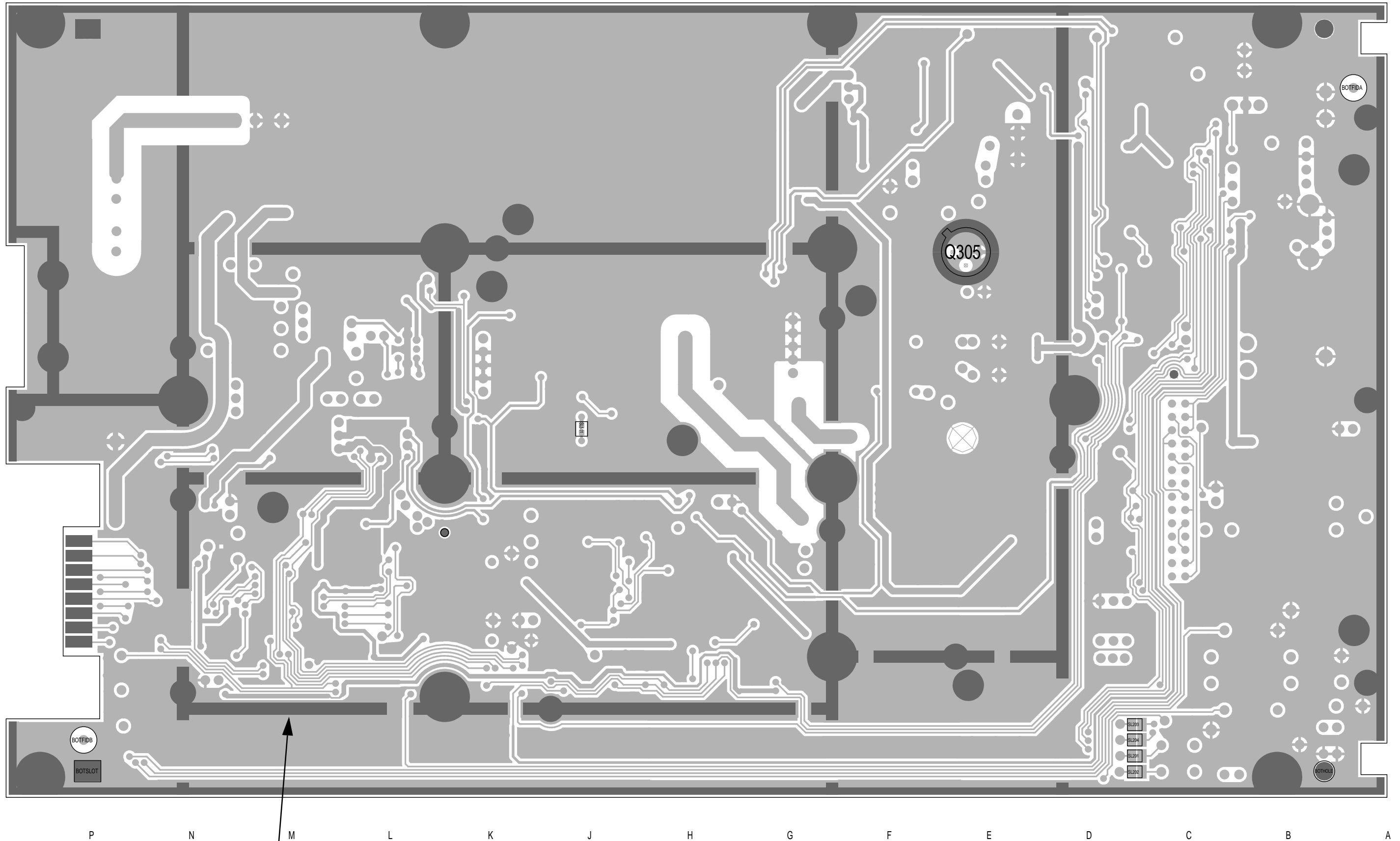


SK200 is currently not fitted as standard. It will be fitted for future options.

The darker shading shows the outline of the chassis.

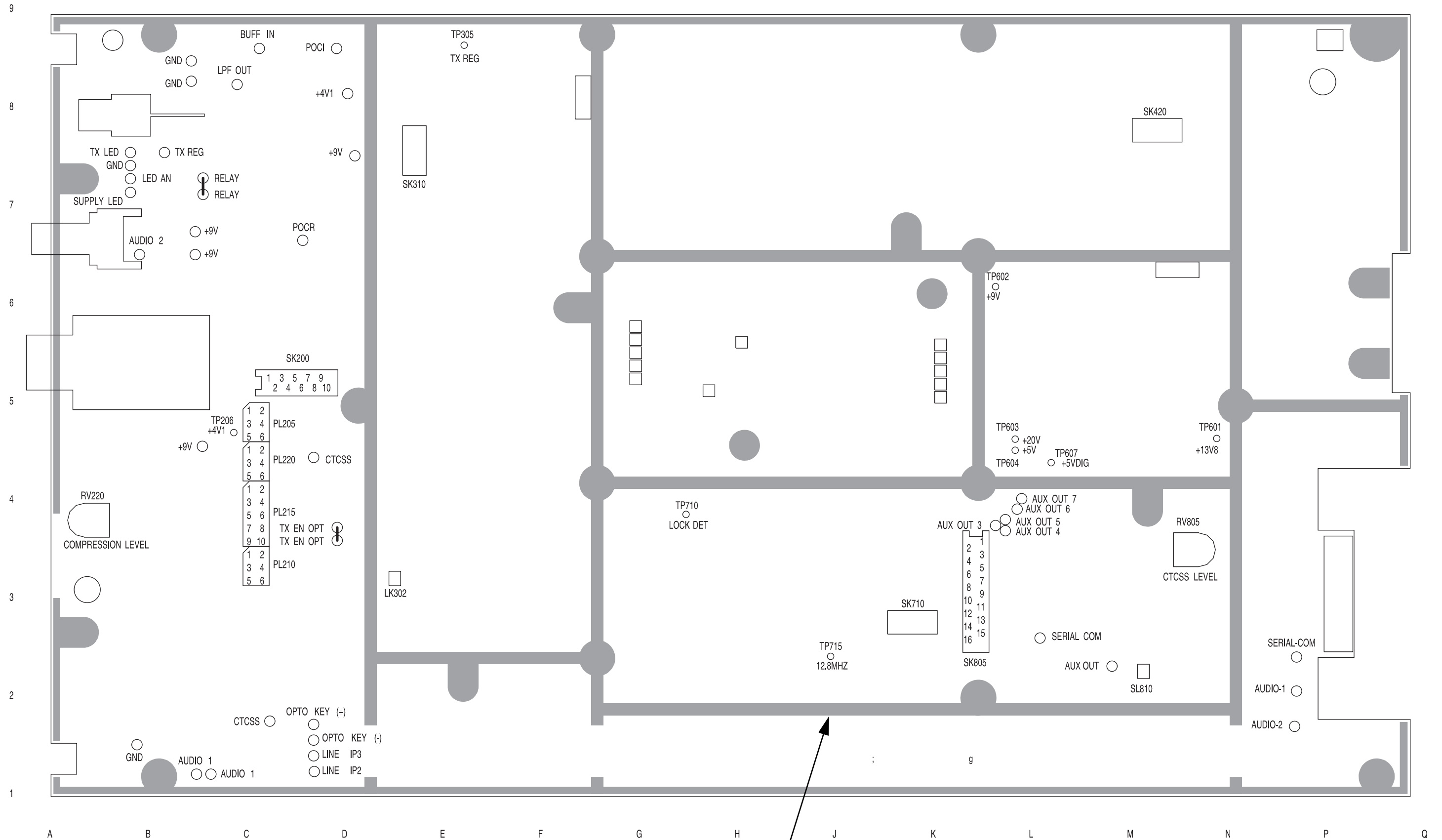
%R150 (10Ω) is fitted only when the T857 is used in a Series I rack frame (refer to Part I for full details).

T857 PCB Layout - Top Side
220-01398-02

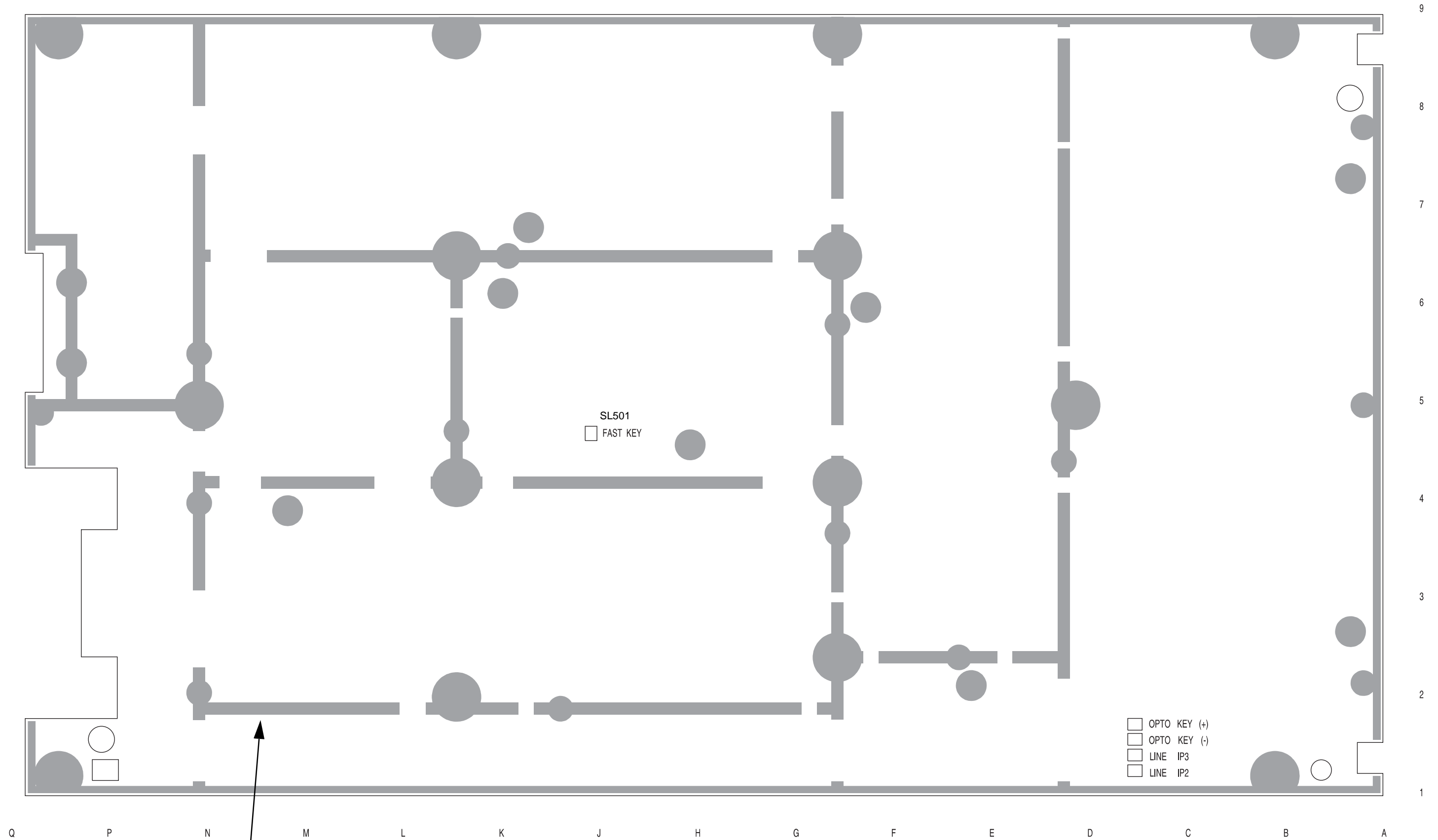


The darker shading shows the footprint of the bottom cover.

T857 PCB Layout - Bottom Side
220-01398-02

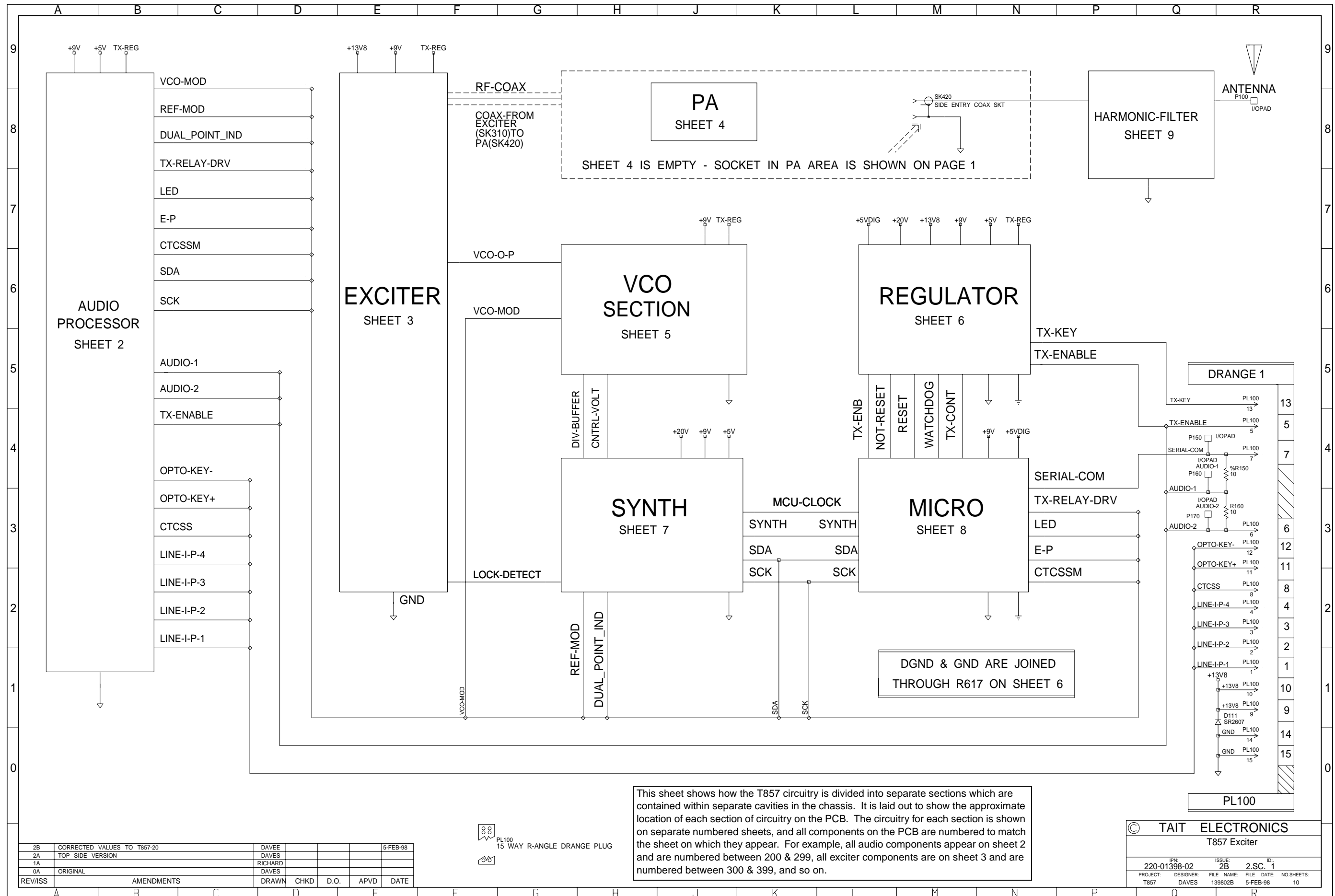


The darker shading shows the outline of the chassis.



The darker shading shows the footprint of the bottom cover.

T857 Test Points & Options Connections - Bottom Side
220-01398-02

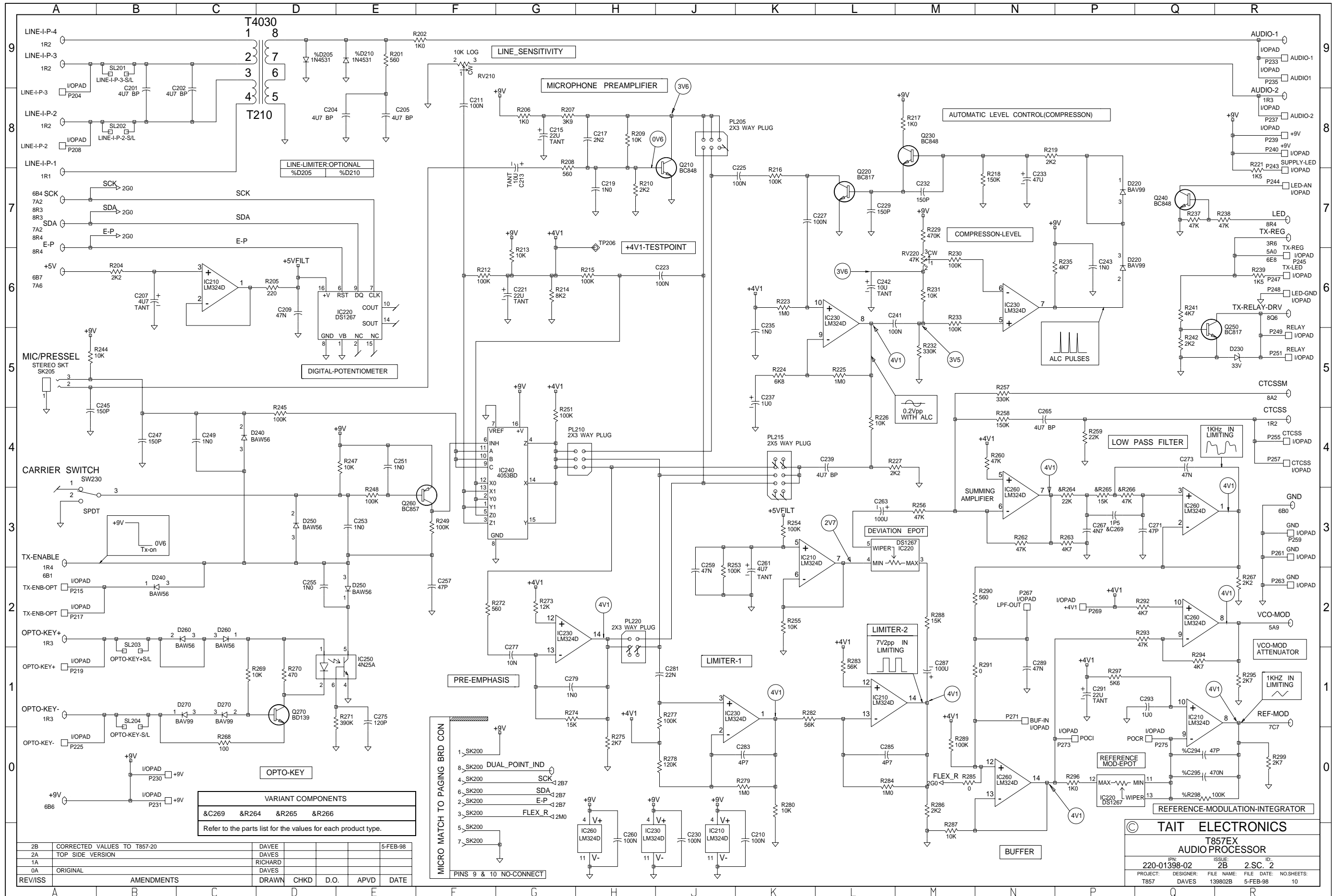


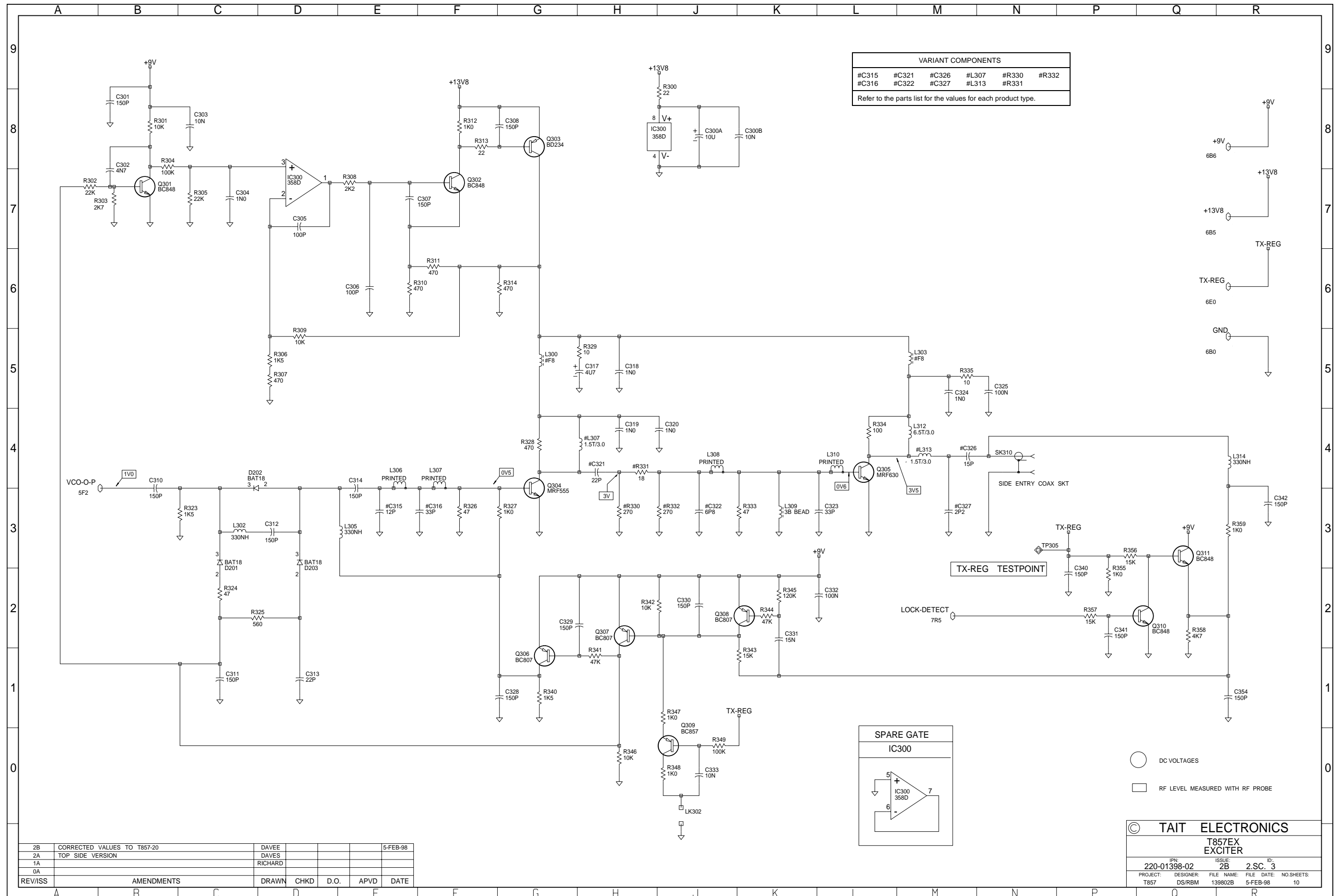
This sheet shows how the T857 circuitry is divided into separate sections which are contained within separate cavities in the chassis. It is laid out to show the approximate location of each section of circuitry on the PCB. The circuitry for each section is shown on separate numbered sheets, and all components on the PCB are numbered to match the sheet on which they appear. For example, all audio components appear on sheet 2 and are numbered between 200 & 299, all exciter components are on sheet 3 and are numbered between 300 & 399, and so on.

2B	CORRECTED VALUES TO T857-20	DAVEE			5-FEB-98
2A	TOP SIDE VERSION	DAVES			
1A		RICHARD			
0A	ORIGINAL	DAVES			
REV/ISS	AMENDMENTS	DRAWN	CHKD	D.O.	APVD DATE

PL100
15 WAY R-ANGLE DRANGE PLUG

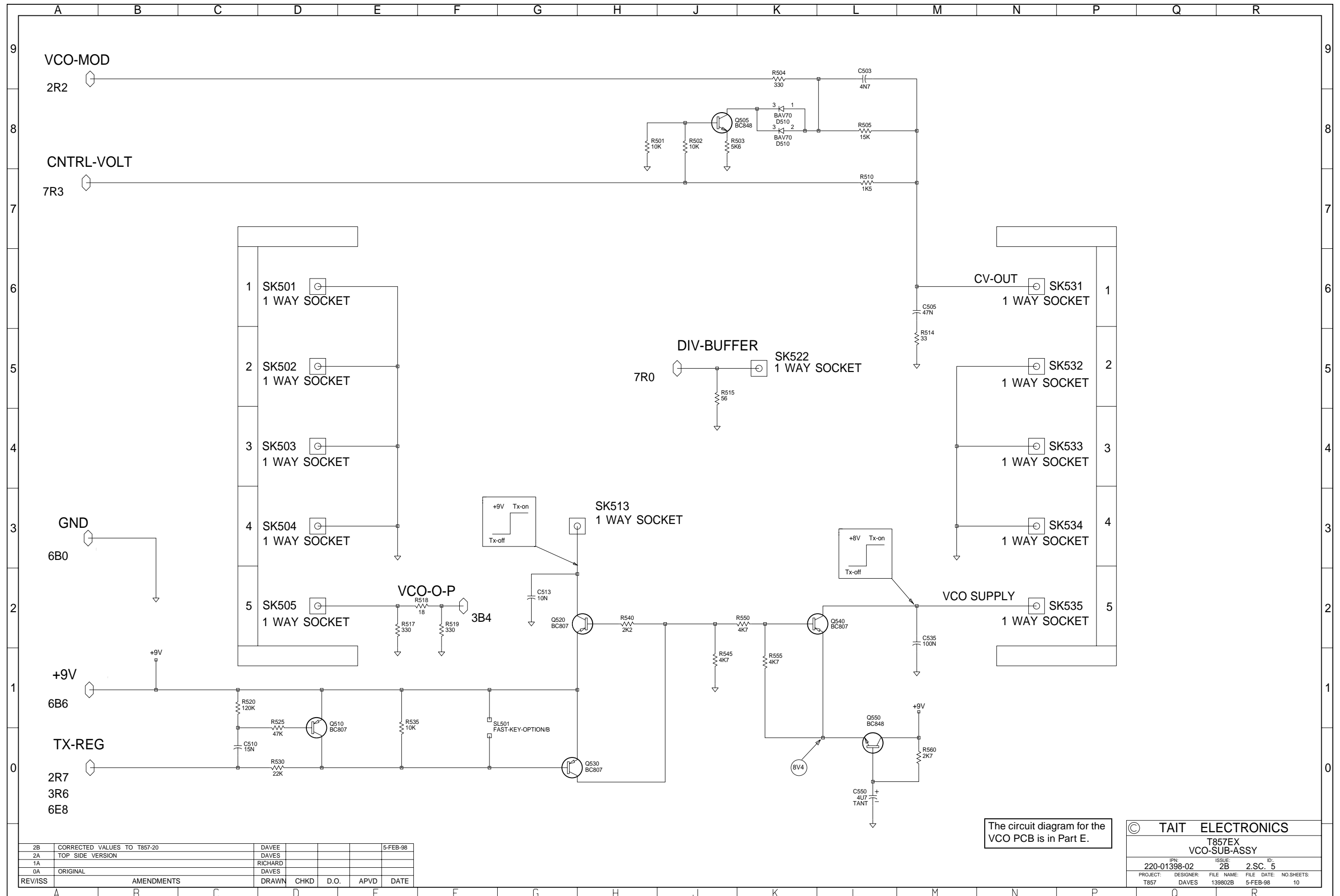
© TAIT ELECTRONICS					
T857 Exciter					
IPN:	220-01398-02	ISSUE:	2B	DATE:	5-FEB-98
DESIGNER:	DAVES	FILE NAME:	139802B	NO. SHEETS:	10





SK420 is the only component in this section
of the T857 circuitry and is shown on sheet 1.

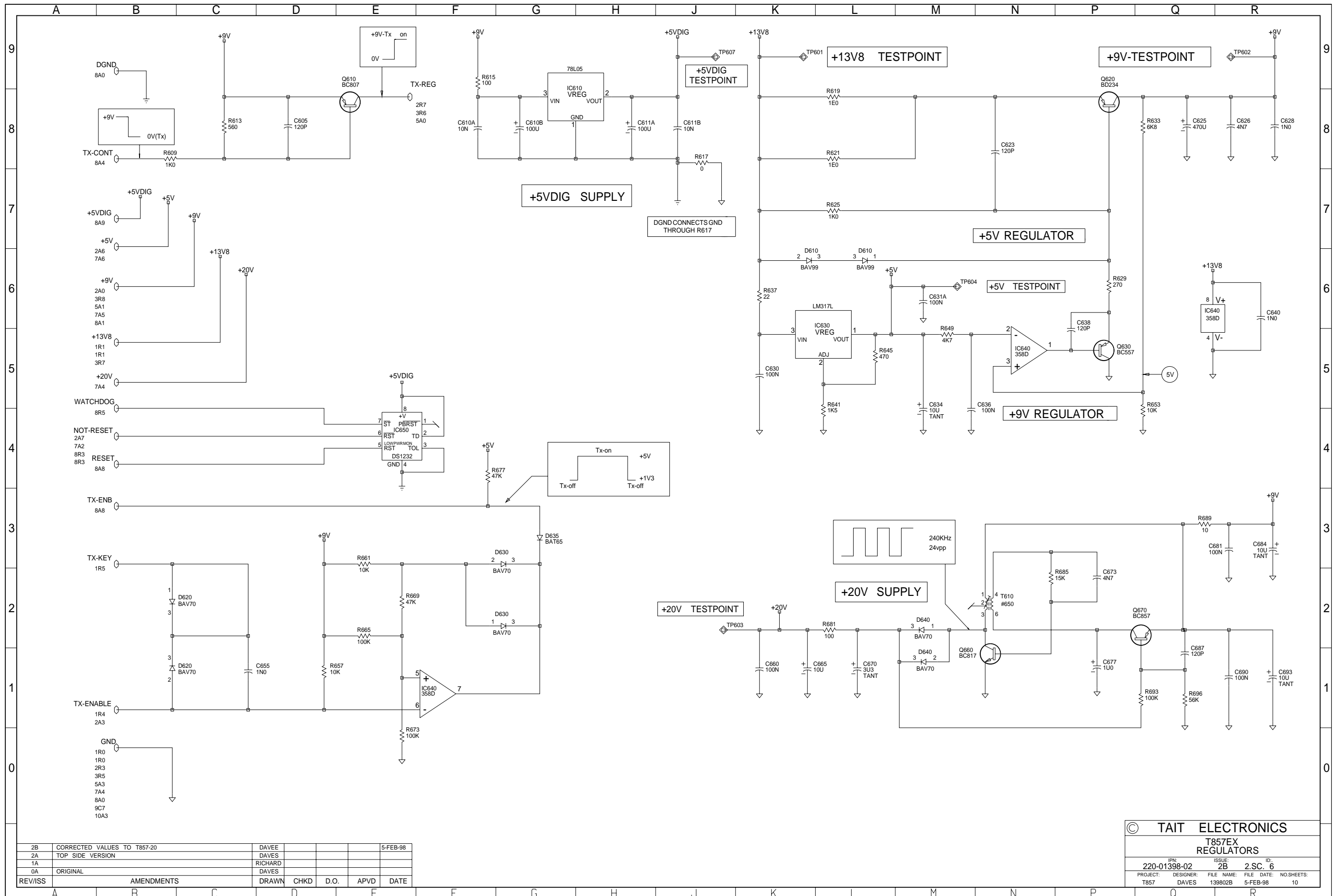
Sheet 4 - Not Used In The T857
220-01398-02



2B	CORRECTED VALUES TO T857-20	DAVEE				5-FEB-98
2A	TOP SIDE VERSION	DAVES				
1A		RICHARD				
0A	ORIGINAL	DAVES				
REV/ISS	AMENDMENTS	DRAWN	CHKD	D.O.	APVD	DATE

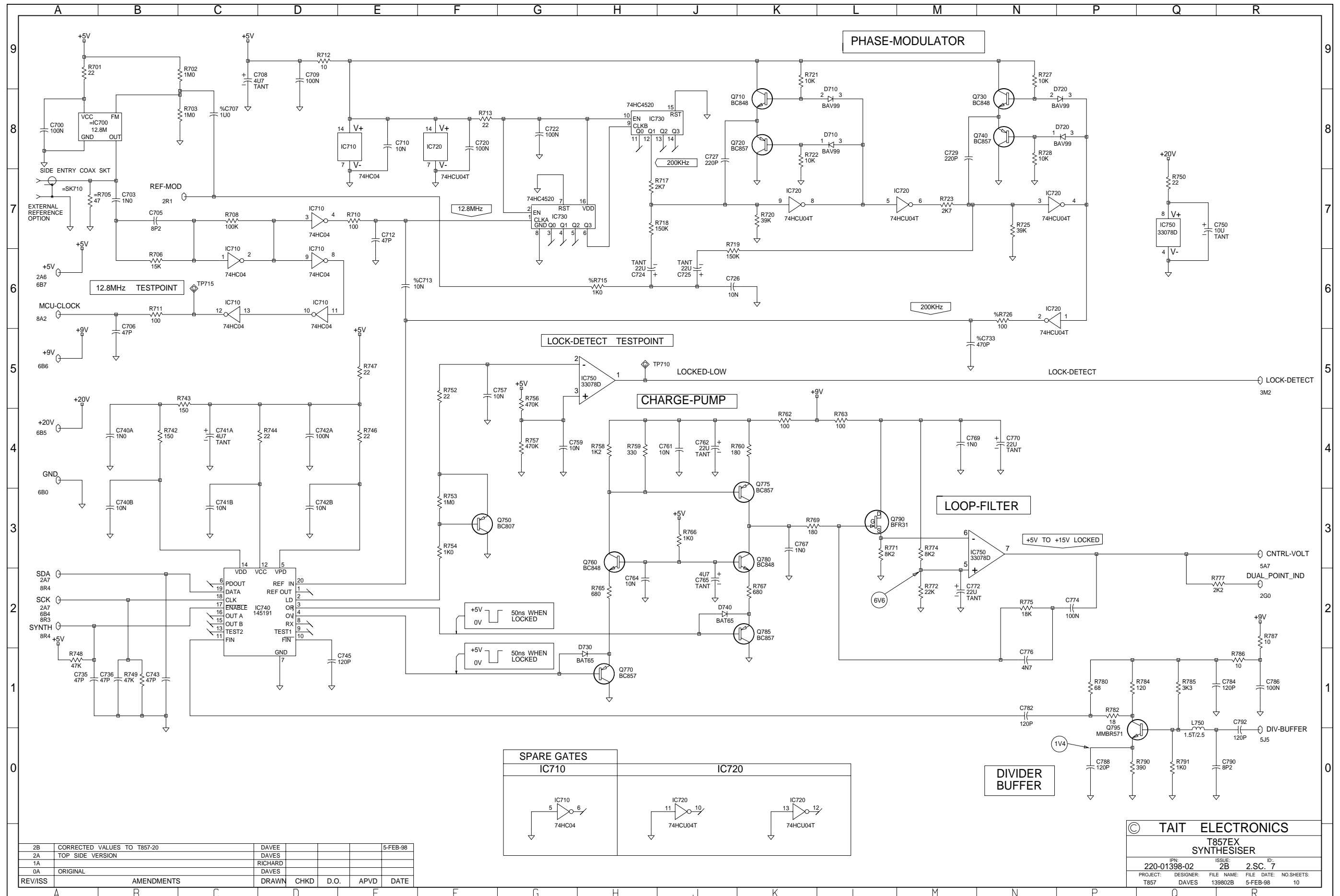
The circuit diagram for the VCO PCB is in Part E.

© TAIT ELECTRONICS					
T857EX					
VCO-SUB-ASSY					
IPN:	220-01398-02	ISSUE:	2B	FILE:	2.S.C. 5
PROJECT:	T857	DESIGNER:	DAVES	FILE NAME:	139802B
				FILE DATE:	5-FEB-98
				NO SHEETS:	10



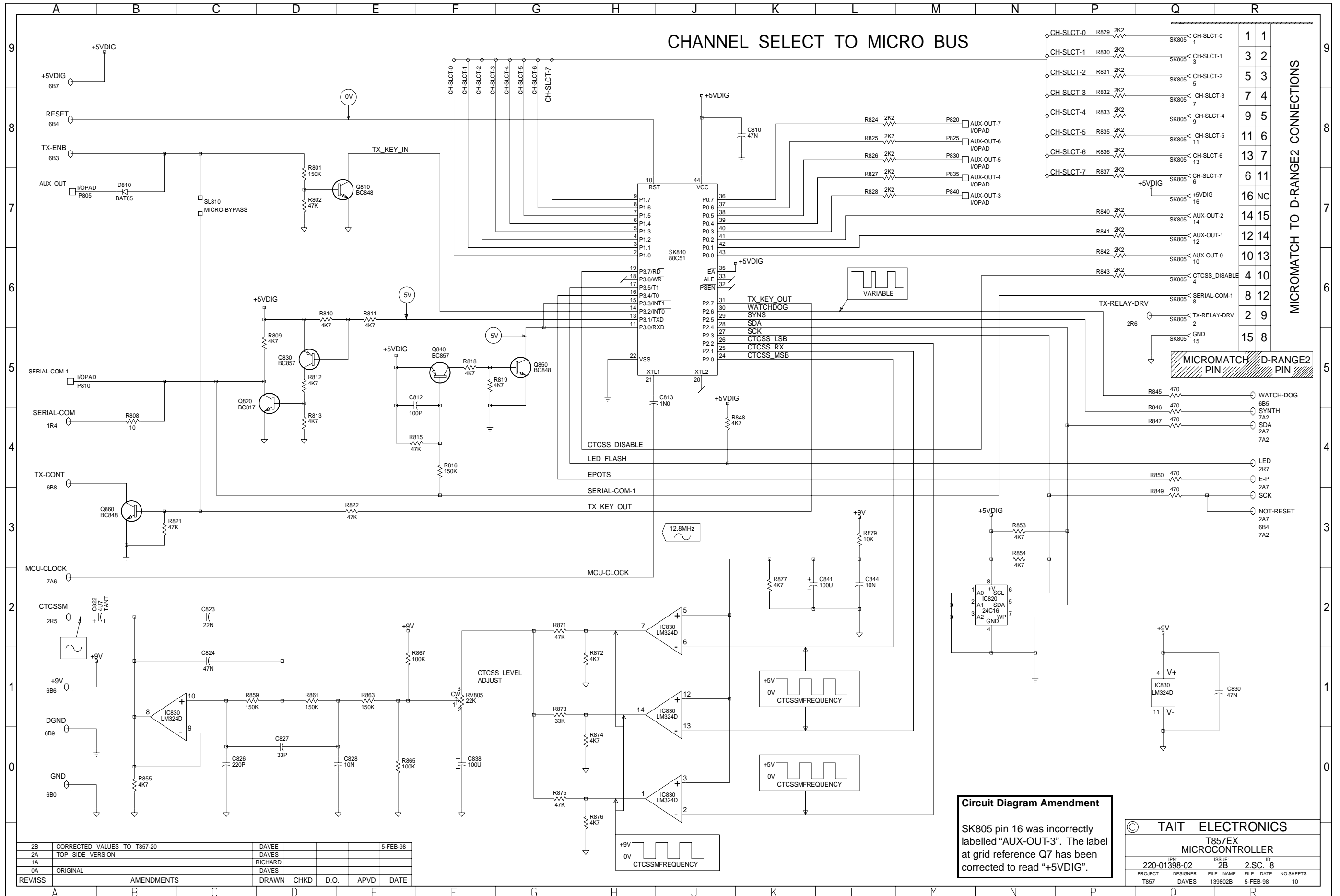
2B	CORRECTED VALUES TO T857-20	DAVEE			5-FEB-98
2A	TOP SIDE VERSION	DAVES			
1A		RICHARD			
0A	ORIGINAL	DAVES			
REV/ISS	AMENDMENTS	DRAWN	CHKD	D.O.	APVD DATE

© TAIT ELECTRONICS					
T857EX REGULATORS					
IPN:	220-01398-02	ISSUE:	2B	ID:	6
PROJECT:	T857	DESIGNER:	DAVES	FILE NAME:	139802B
		FILE DATE:	5-FEB-98	NO. SHEETS:	10



2B	CORRECTED VALUES TO T857-20	DAVEE				5-FEB-98
2A	TOP SIDE VERSION	DAVES				
1A		RICHARD				
0A	ORIGINAL	DAVES				
REV/ISS	AMENDMENTS	DRAWN	CHKD	D.O.	APVD	DATE

© TAIT ELECTRONICS			
T857EX SYNTHESISER			
IPN:	220-01398-02	ISSUE:	2B
DESIGNER:	DAVES	FILE NAME:	139802B
DATE:	5-FEB-98	NO. SHEETS:	10

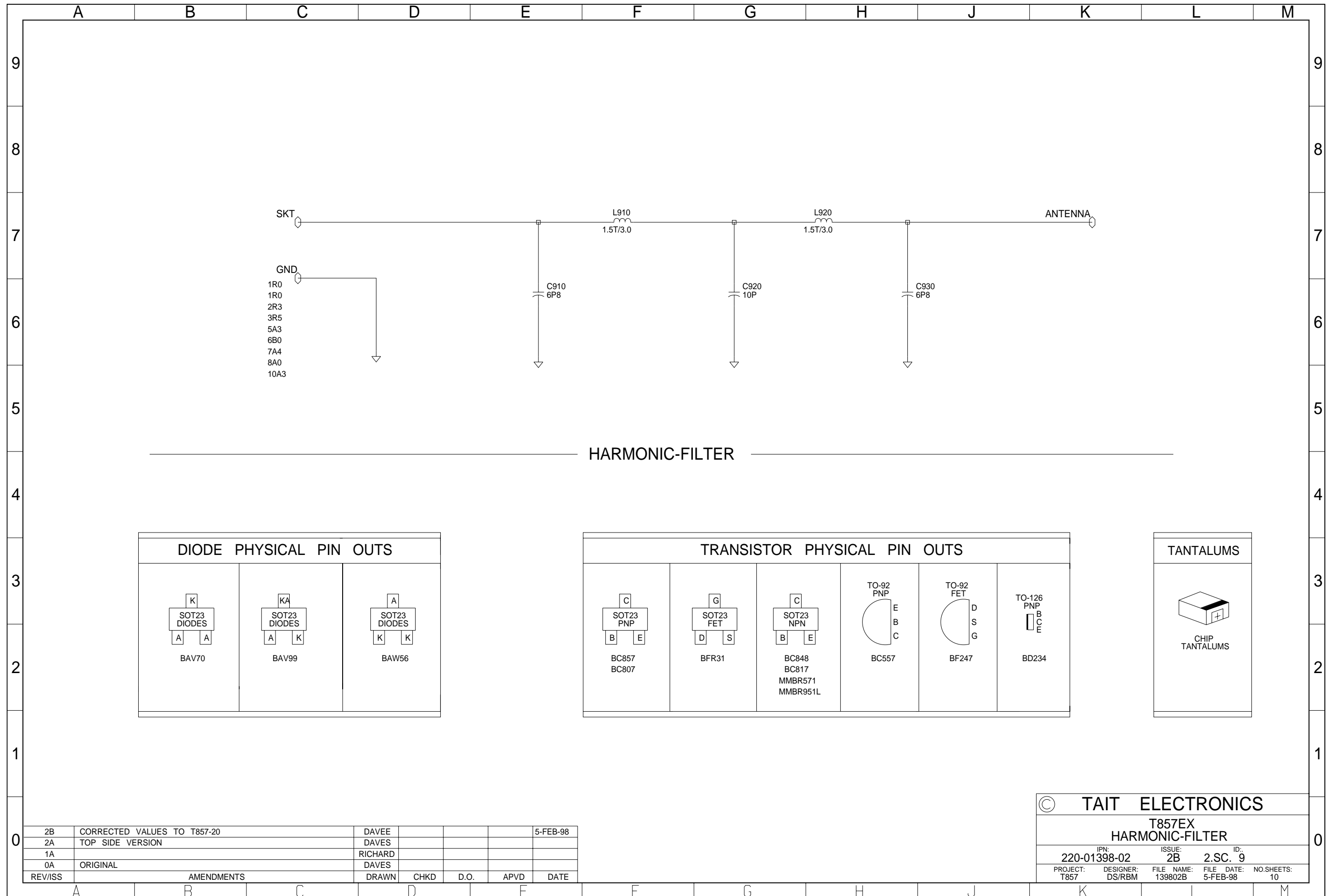


Circuit Diagram Amendment
SK805 pin 16 was incorrectly labelled "AUX-OUT-3". The label at grid reference Q7 has been corrected to read "+5VDIG".

TAIT ELECTRONICS
T857EX
MICROCONTROLLER

IPN	ISSUE	ID
220-01398-02	2B	2.S.C. 8
PROJECT: T857	DESIGNER: DAVES	FILE NAME: 139802B
		FILE DATE: 5-FEB-98
		NO.SHEETS: 10

2B	CORRECTED VALUES TO T857-20	DAVEE				5-FEB-98
2A	TOP SIDE VERSION	DAVES				
1A		RICHARD				
0A	ORIGINAL	DAVES				
REV/ISS	AMENDMENTS	DRAWN	CHKD	D.O.	APVD	DATE



DIODE PHYSICAL PIN OUTS		
 SOT23 DIODES BAV70	 SOT23 DIODES BAV99	 SOT23 DIODES BAW56

TRANSISTOR PHYSICAL PIN OUTS					
 SOT23 PNP BC857 BC807	 SOT23 FET BFR31	 SOT23 NPN BC848 BC817 MMBR571 MMBR951L	 TO-92 PNP BC557	 TO-92 FET BF247	 TO-126 PNP BD234

TANTALUMS
 CHIP TANTALUMS

2B	CORRECTED VALUES TO T857-20	DAVEE				5-FEB-98
2A	TOP SIDE VERSION	DAVES				
1A		RICHARD				
0A	ORIGINAL	DAVES				
REV/ISS	AMENDMENTS	DRAWN	CHKD	D.O.	APVD	DATE

© TAIT ELECTRONICS					
T857EX HARMONIC-FILTER					
IPN: 220-01398-02		ISSUE: 2B		ID: 2.SC. 9	
PROJECT: T857	DESIGNER: DS/RBM	FILE NAME: 139802B	FILE DATE: 5-FEB-98	NO.SHEETS: 10	

